

## On-Grade Finished Area Floor Drains

### FD-200-EF Floor Drain with Round Funnel



Model Number	Weight (lbs.)	Str. Size	Outlet Size	Funnel	List Price
FD-202, 3, 4-EF1	9	5"	2, 3, 4"	nickel bronze	\$846.50
FD-202, 3, 4-EF-50	10	5"	2, 3, 4"	nickel bronze	596.50

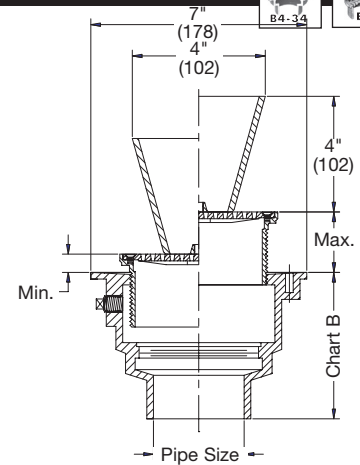


Chart A		
Strainer Dia.	Min.	Max.
5"	7/16"	1 5/8"

Chart B			
Pipe Size	No Hub	Push On	PVC/ABS
2"	4 3/4"	5 1/2"	4"
3"	4 3/4"	5 1/2"	4"
4"	4 3/4"	5 1/2"	4"

### FD-200-EG Floor Drain with Oval Funnel



Model Number	Weight (lbs.)	Str. Size	Outlet Size	Funnel	List Price
FD-202, 3, 4-EG-1	10	5"	2, 3, 4"	nickel bronze	\$1,290.50
FD-202, 3, 4-EG-50	10	5"	2, 3, 4"	cast iron	842.00

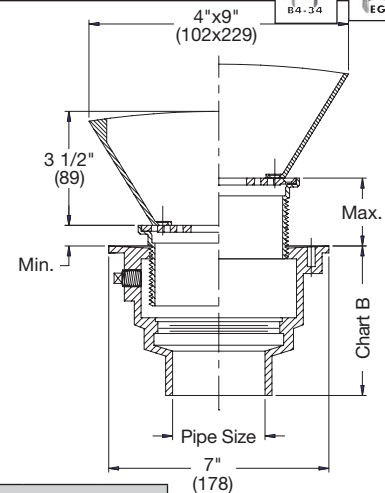


Chart A		
Strainer Dia.	Min.	Max.
5"	7/16"	1 5/8"

Chart B			
Pipe Size	No Hub	Push On	PVC/ABS
2"	4 3/4"	5 1/2"	4"
3"	4 3/4"	5 1/2"	4"
4"	4 3/4"	5 1/2"	4"

Note: Funnels are ordered separately. See page 63 for details.

#### Options for FD-200 Series:

Suffix	Description	List Price	Suffix	Description	List Price
None	No Hub Outlet	No Add	-15	Strainer Extension (DD-50)	\$141.00
P	Push-On Outlet	No Add	-60	PVC Body w/Socket Outlet	No Add
X	Inside Caulk	No Add	-61	ABS Body w/Socket Outlet	No Add
-5	Sediment Bucket	\$108.00	-F6-1	6" Round Nickel Bronze Funnel	625.50
-6	Vandal Proof	54.50			
-7	Trap Primer Tapping	No Add			
-8	Ball Float Backwater Valve (2,3,4" Only)	377.50			
-13	Galvanized Body	195.50			

Consult factory for all applications outside of listed parameters.  
 Prices do not include applicable taxes.

